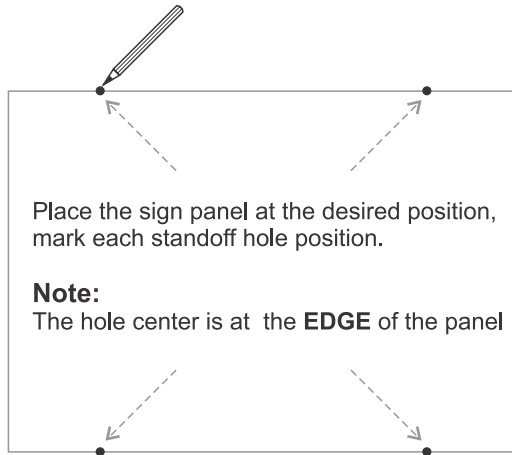
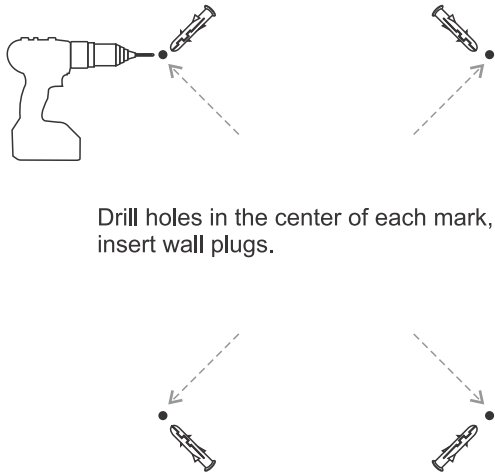


Stainless Steel Adjustable Edge Grip Installation Instructions

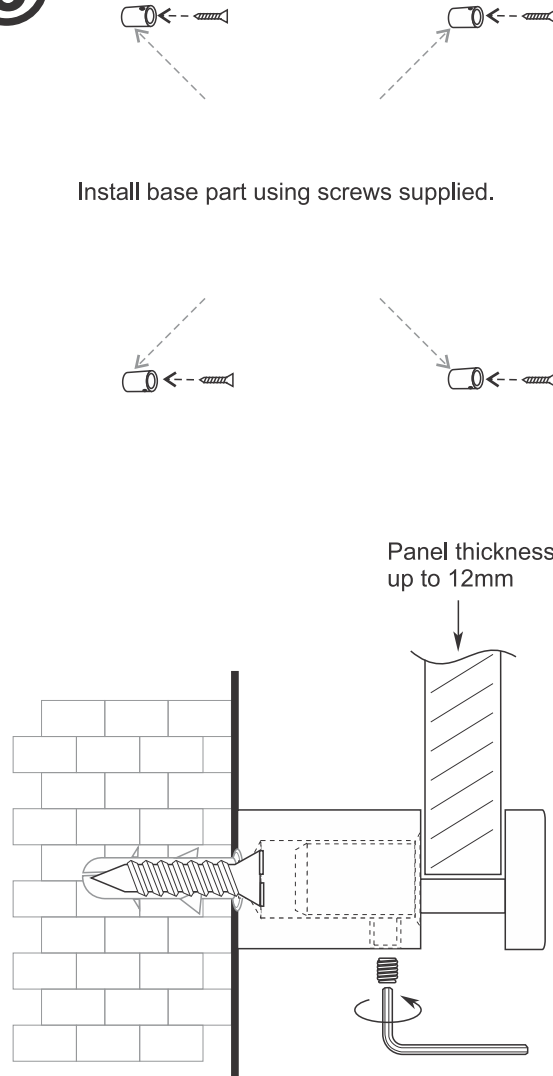
1



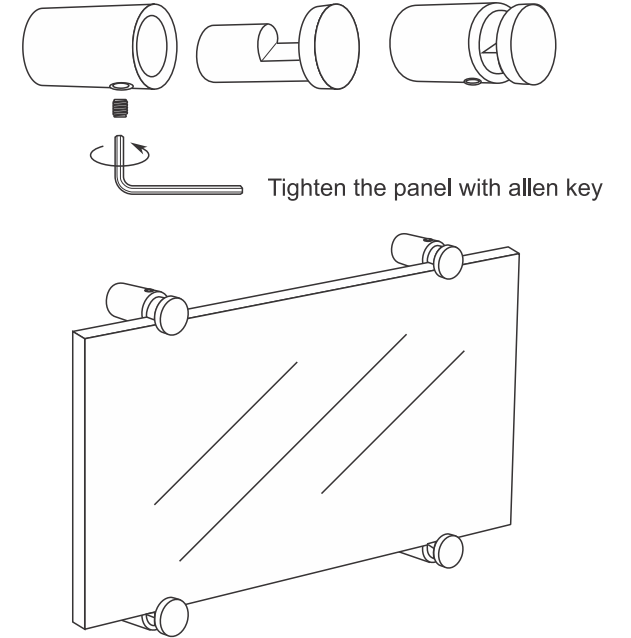
2



3



4



The grips can **only** hold panel from top and bottom sides

