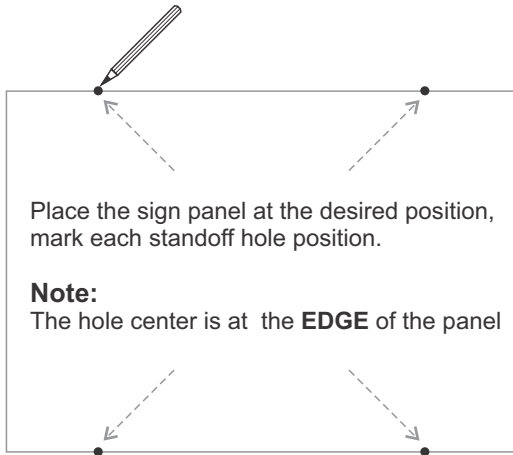
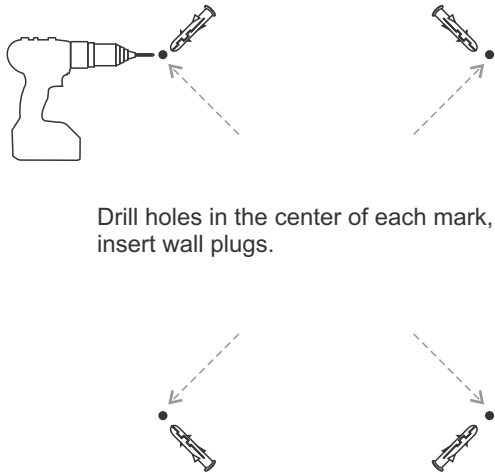


Adjustable Sign Edge Grip Installation Instructions

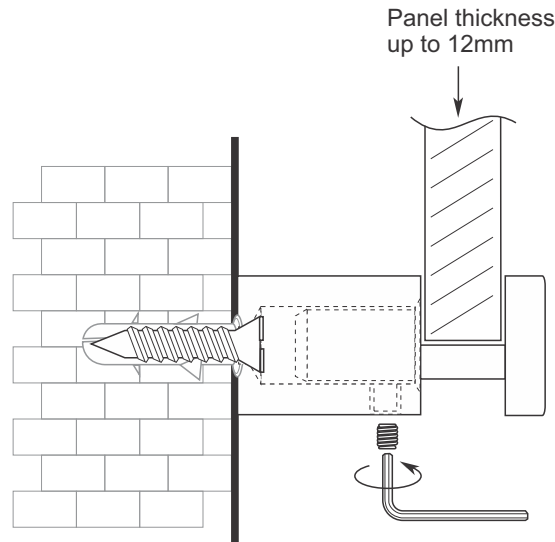
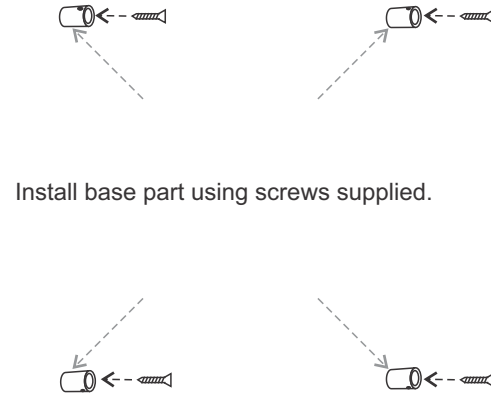
1



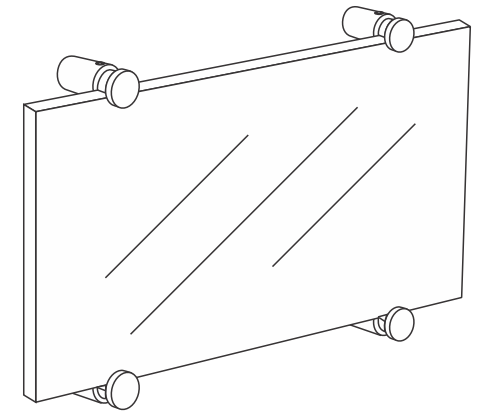
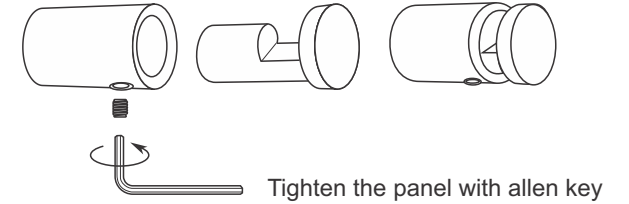
2



3



4



The grips can **only** hold panel from top and bottom sides

